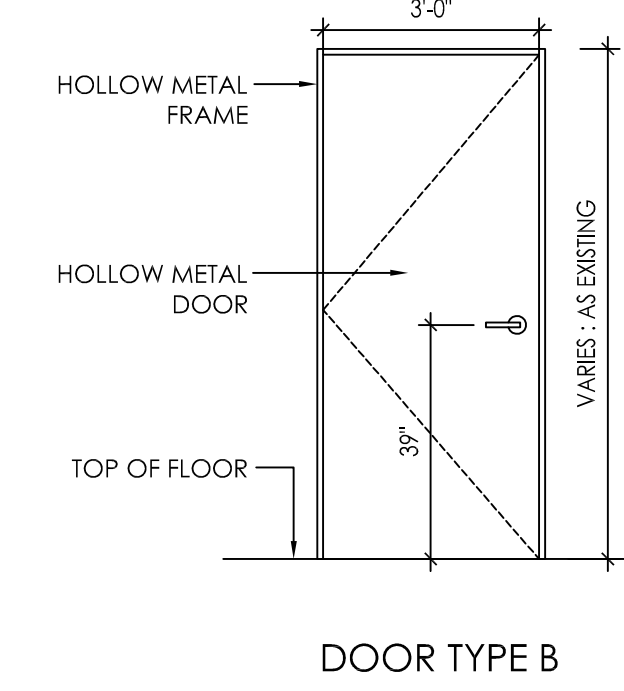
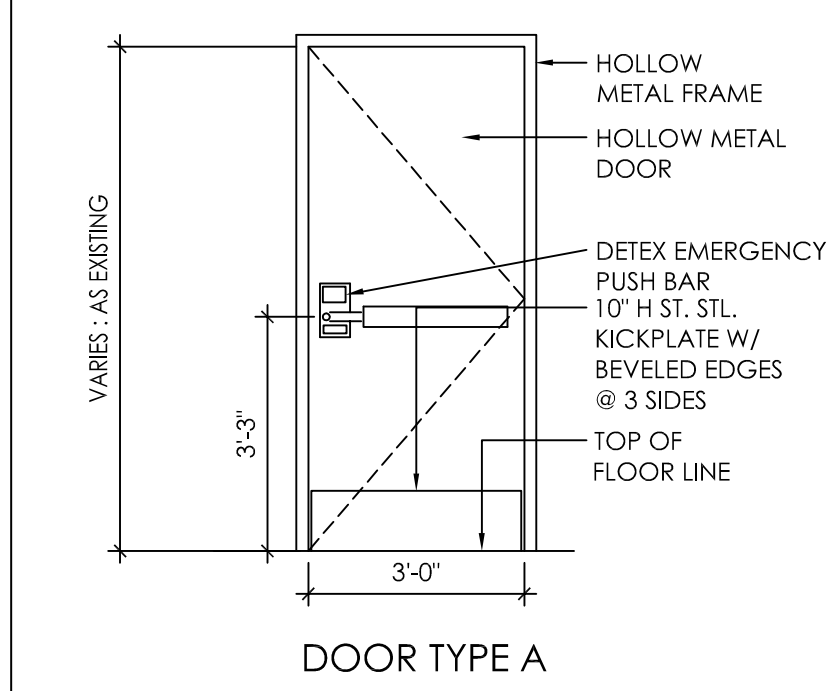


NOT TO SCALE

1 LAYOUT

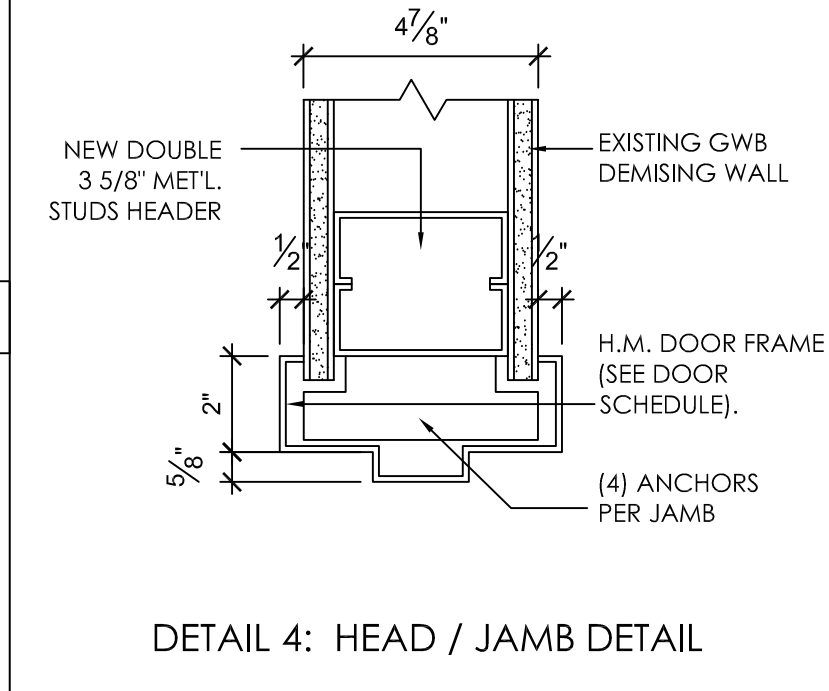
1/8" = 1'-0"

1. WALLS AND CEILINGS:
 - 1.1. GC TO SCRAPE AND REPAIR WALLS AND CEILINGS AS NECESSARY TO ACHIEVE AN ACCEPTABLE FINISH (PAINT IS PEELING OFF IN MANY PLACES)
 - 1.2. WALLS AND CEILING TO BE PAINTED, BENJAMIN MOORE, WHITE, FLAT FINISH.
2. HUMIDITY PATCHES:
 - 2.1. GC TO SCRAPE AS NECESSARY AND PAINT
3. EXISTING CONCRETE FLOOR:
 - 3.1. GC TO SCRUB TO CLEAN
4. EXISTING WOOD FLOOR:
 - 4.1. GC TO DO A LIGHT SCREENING AND APPLY A POLYURETHANE FINISH
 - 4.2. THERE IS A SOFT SPOT ON THE FLOOR (TO BE INSPECTED DURING WALK THROUGH). GC TO REPAIR AS NECESSARY
5. LIGHTING:
 - 5.1. REFER TO THE ENGINEER'S LIGHTING PLANS
6. DOORS:
 - 6.1. GC TO ADD NEW DOORS OR REPAIR EXISTING ONES AS PER NOTES ON PLAN
7. RESTROOM:
 - 7.1. REMOVE EXISTING TILES AND INSTALL NEW 12X12 CERAMIC WHITE TILES
 - 7.2. REMOVE EXISTING ACOUSTICAL CEILING AND INSTALL NEW ONE
 - 7.3. INSTALL NEW LIGHTING FIXTURE AS PER ENGINEER'S PLANS
 - 7.4. REMOVE URINAL
 - 7.5. FIX EXISTING SINK
 - 7.6. PAINT ALL WALLS
 - 7.7. DOOR TO BE VERIFIED ON SITE
8. EXISTING CONVEYOR BELT:
 - 8.1. GC TO BUILD A WOOD SLIDE TO BE PLACED ON TOP
9. NEW COUNTER AND SHELVES:
 - 9.1. TO BE SUPPLIED AND INSTALLED BY OWNER'S VENDOR
10. APPLIANCES:
 - 10.1. MICROWAVE, COFFEE MACHINE, FRIDGE AND WATER COOLER TO BE SUPPLIED BY OWNER AND INSTALLED BY GC
11. FIXTURES:
 - 11.1. 1 TABLE WITH 4 CHAIRS + 1 OFFICE CHAIR TO BE SUPPLIED BY OWNER AND INSTALLED BY GC



DOOR #	DOOR TYPE	SIZE / LOCATION	MATERIAL	DOOR FINISH	HARDWARE GROUP	HARDWARE FINISH	TRANSITION DETAIL	H/J DETAIL	FRAME	RATING	RESPONSIBILITY	REMARKS
1	A	3'-0" x 8'-0" x 1-3/4" AS PER PLAN	HOLLOW METAL	PAINTED WHITE	1	US26D	NA	4	STEEL	1 HR	GC	10" STAINLESS STEEL KICK PLATE: STOCK ROOM SIDE ONLY
2	B	3'-0" x 8'-0" x 1-3/4" AS PER PLAN	HOLLOW METAL	PAINTED WHITE	2	US26D			STEEL	1 HR	GC	10" STAINLESS STEEL KICK PLATE: STOCK ROOM SIDE ONLY

HARDWARE GROUPS	
LOCK / HANDLE:	DETEX #ECL - 230C X 436
HINGES:	STANLEY BALL BEARING HINGES # FBB179 (3 REQ'd) 4 1/2" x 4" 26D
WALL STOP:	TBD
CLOSER:	(1) CONCEALED MOUNTING, LCN 2031 ADA COMPLIANT 5 LBS. MAX OPENING FORCE
SILENCERS:	NA
KICK PLATE:	IVES #8400 SERIES, 10" HIGH
DOOR TO STAIRCASE FROM STORAGE 1	
LOCK / HANDLE:	SCHLAGE, AL SERIES, SATURN, FINISH 626, AL80PD (STOREROOM LOCK)
HINGES:	IVES SPB1 BUTT HINGE, FINISH 652
STOP:	NA
CLOSER:	NA
SILENCERS:	NA
KICK PLATE:	IVES #8400 SERIES, 10" HIGH
DOOR TO STORAGE FROM MECHANICAL ROOM 2	
GC TO COORDINATE WITH DGA FOR LOCK INTERFACE WITH CARD READER	



11.07.08

543 BROADWAY
BASEMENT LAYOUT

A-100.00

2 GENERAL NOTES

3 DOOR SCHEDULE